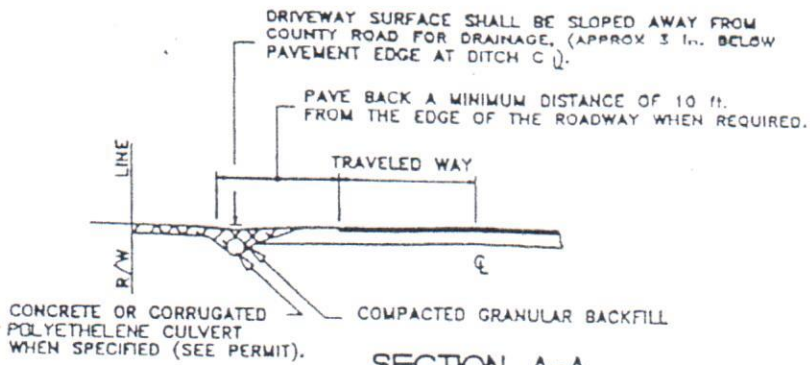
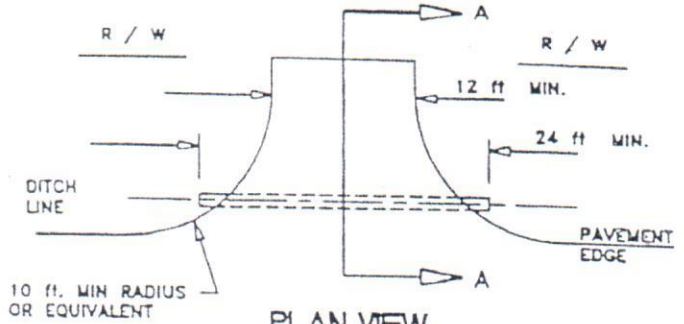


# I. STANDARD APPROACH



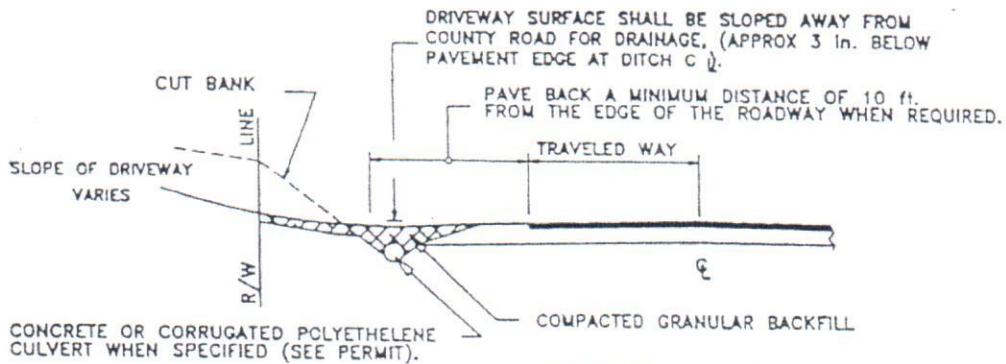
SECTION A-A



PLAN VIEW

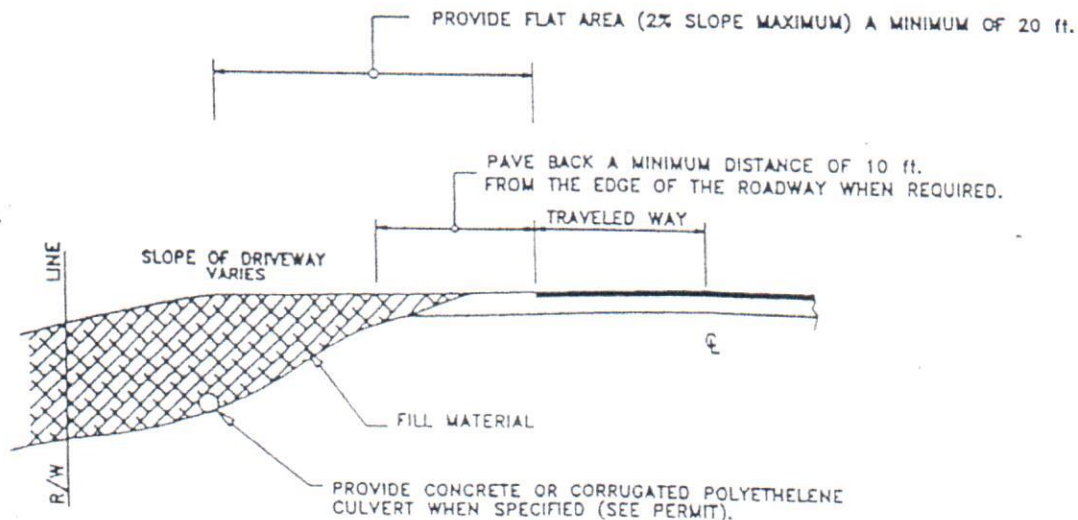
\* APPLIES TO ALL APPROACHES

# II. HILLSIDE APPROACH



SECTION A-A

# III. BELOW GRADE APPROACH



SECTION A-A